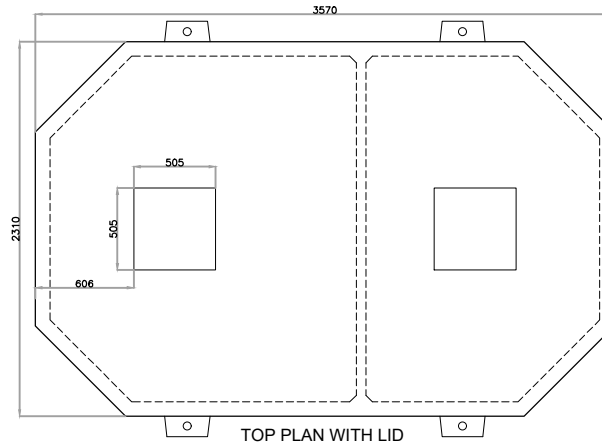
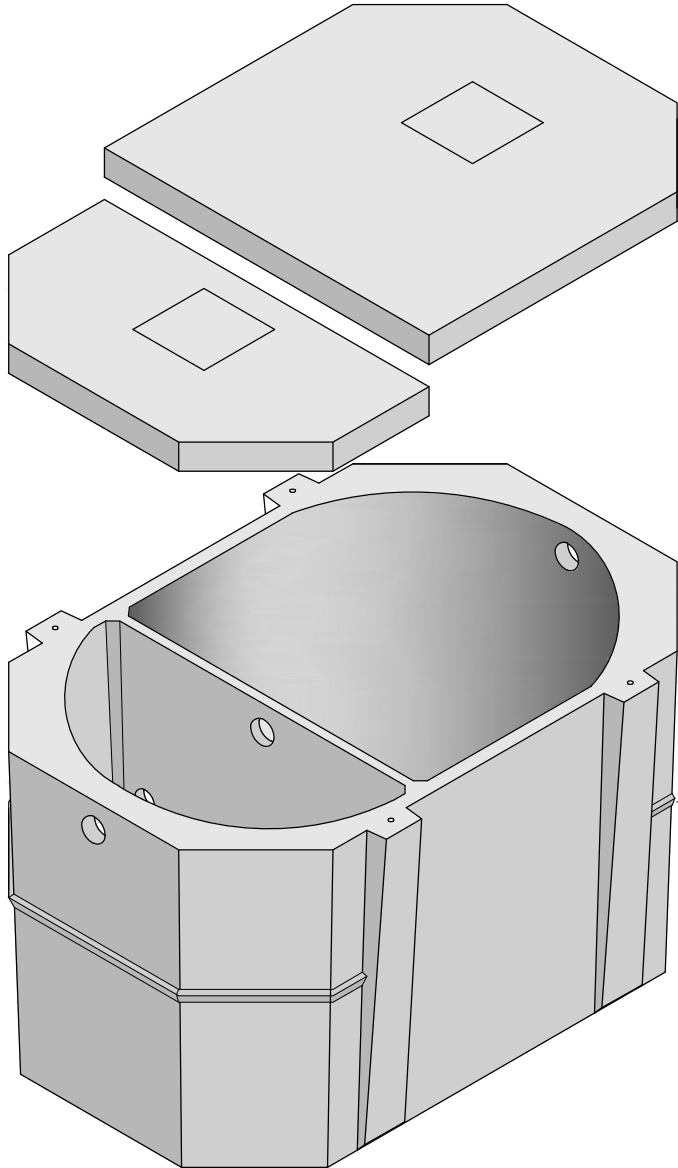
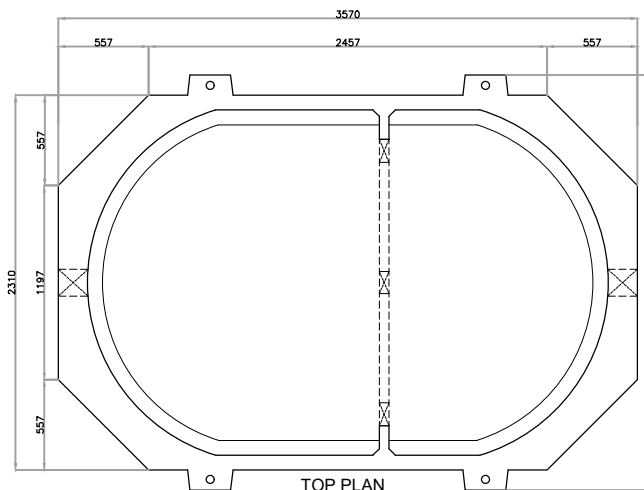


12000 Ltr. Tank

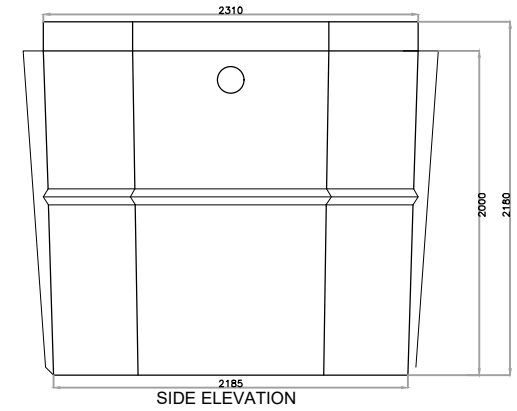
Kilkenny Pre-Cast Concrete



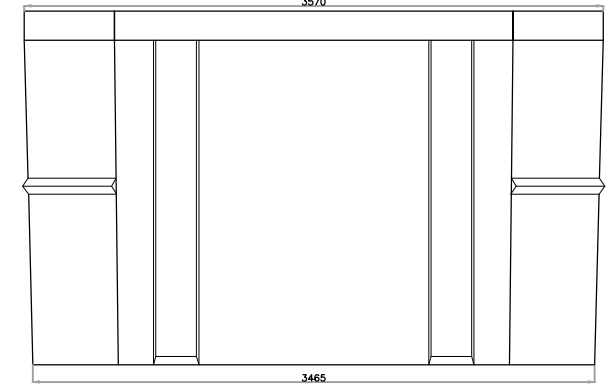
TOP PLAN WITH LID



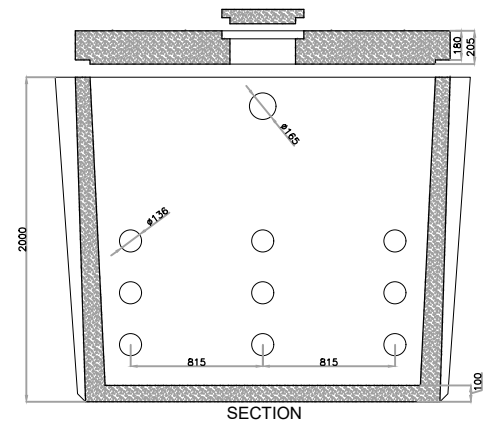
TOP PLAN



SIDE ELEVATION



FRONT ELEVATION



SECTION